

# Partes de un Arma

## Fusil de Asalto

## Fusil de Asalto



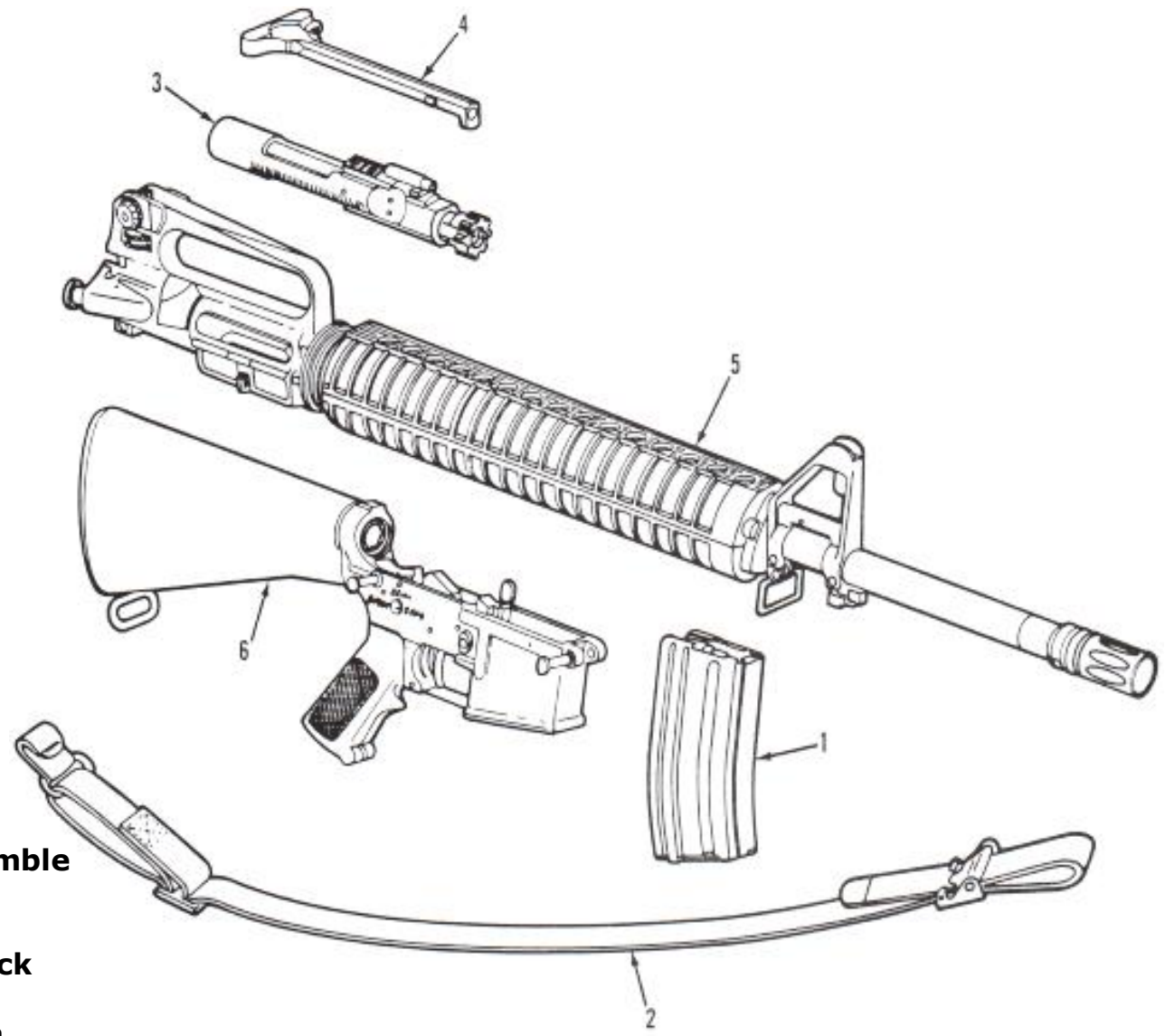
## Fusil de Asalto



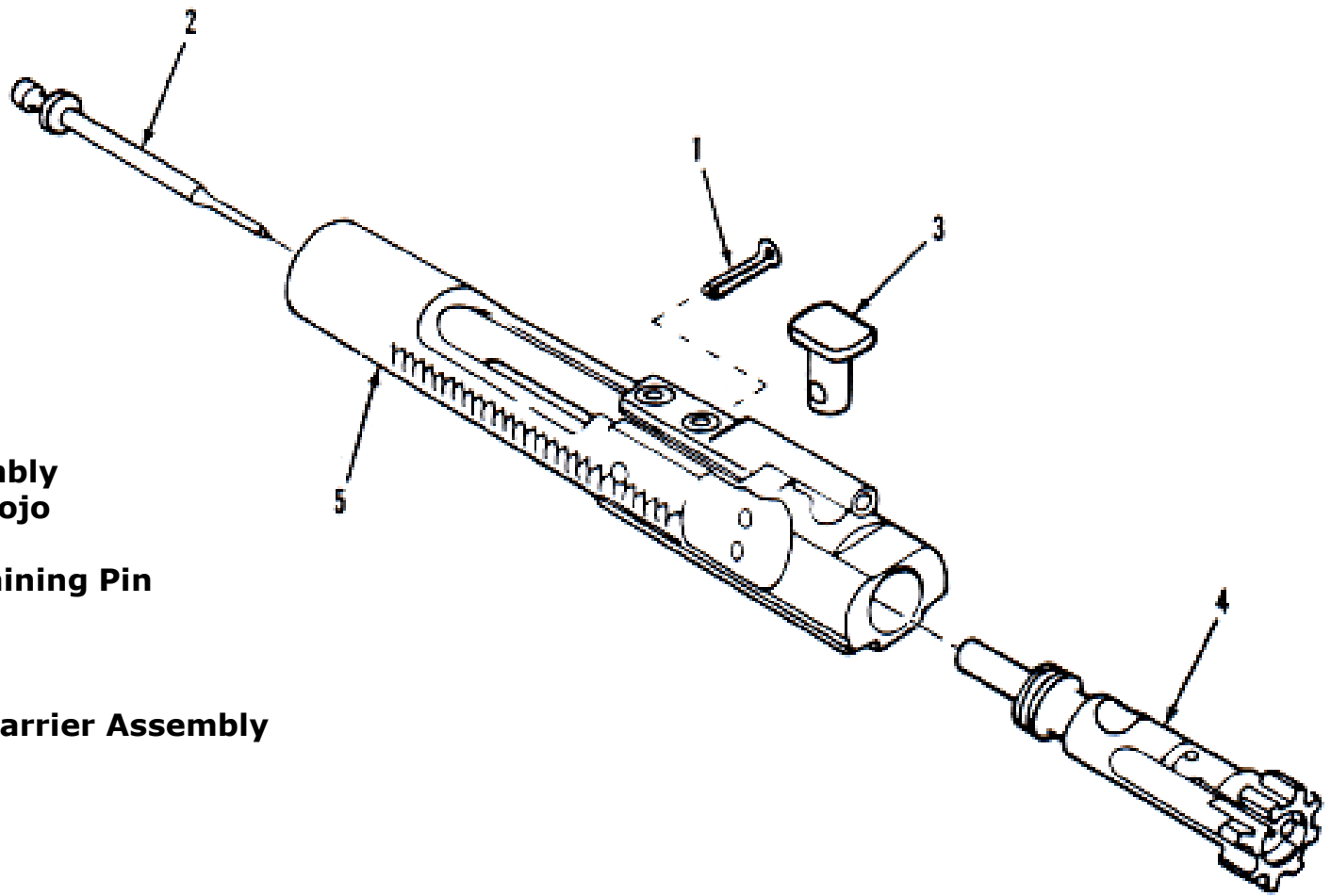


## Fusil de Asalto

- (1) Magazine**  
Cargador
- (2) Small Arms Sling**  
Portafusil
- (3) Bolt Carrier Assembly**  
Cerrojo y Guia
- (4) Charging Handle Assembly**  
Palanca de Cerrojo o Carga
- (5) Upper Receiver and Barrel**  
Asamblea  
Mecanismo Superior y Ensamble  
del Cañon)
- (6) Lower Receiver and Buttstock**  
Asamblea  
Mecanismo Inferior y Culata



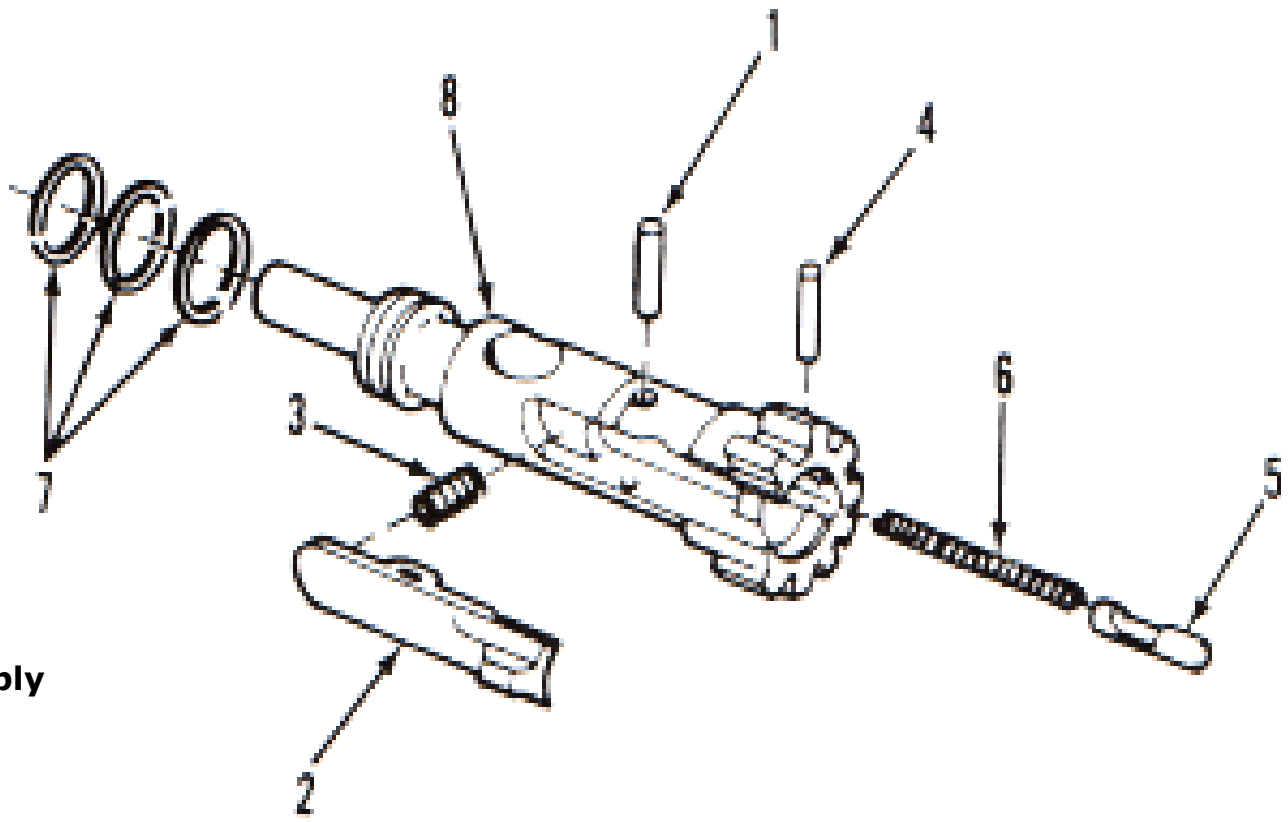
## Fusil de Asalto



### Bolt Carrier Assembly Ensamble del Cerrojo

- (1) Firing Pin Retaining Pin
- (2) Firing Pin
- (3) Bolt Cam Pin
- (4) Bolt Assembly
- (5) Key and Bolt Carrier Assembly

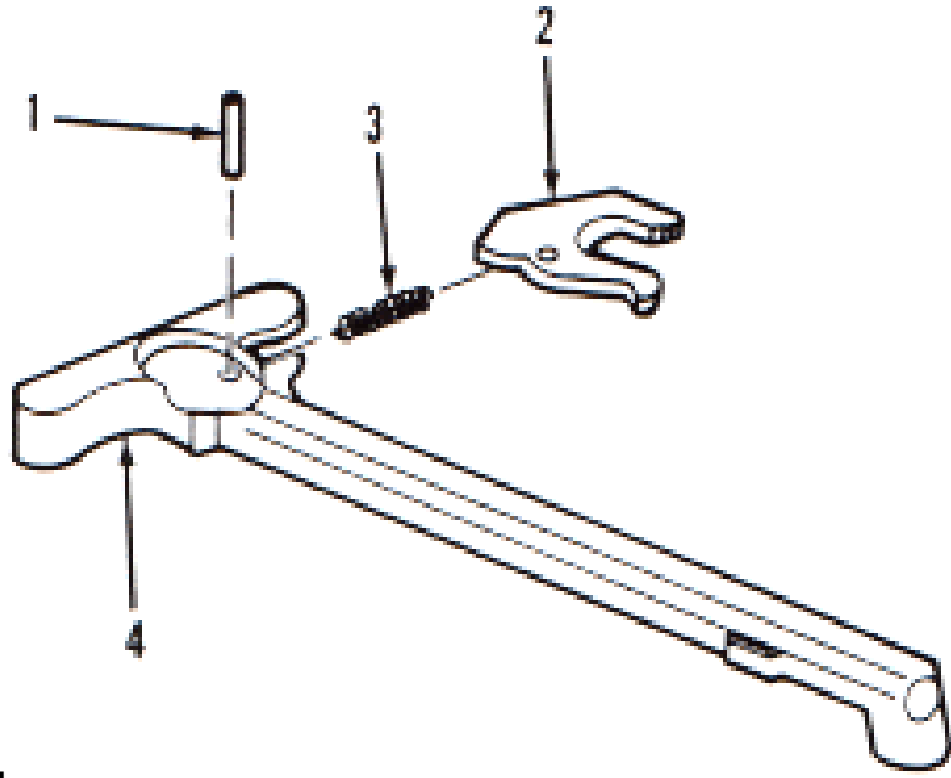
## Fusil de Asalto



**Bolt Assambly**  
**Ensamble de la Acción**

- (1) Extractor Pin
- (2) Extractor
- (3) Extractor Spring Assembly
- (4) Ejector Pin
- (5) Ejector
- (6) Ejector Helical Spring
- (7) Bolt Rings
- (8) Bolt

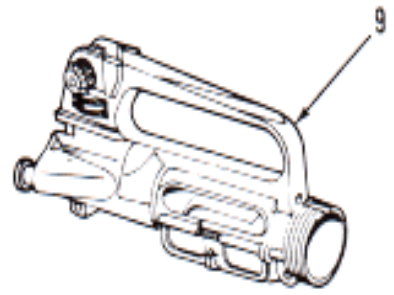
## Fusil de Asalto



**Charging Handle Assembly**  
**Palanca del Cerrojo o Carga**

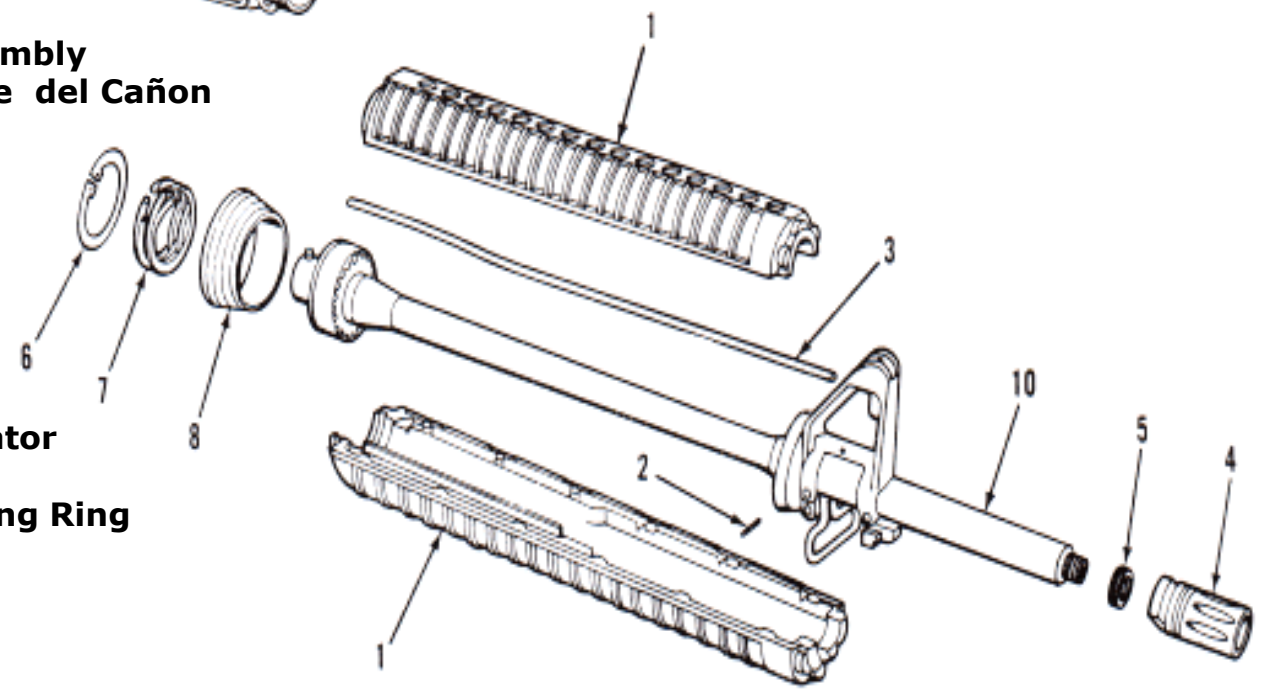
- (1) Charging Handle Latch Pin
- (2) Charging Handle Latch
- (3) Charging Handle Latch Helical Spring
- (4) Charging Handle

## Fusil de Asalto



### Upper Receiver and Barrel Assembly Mecanismo Superior y Ensamble del Cañon

- (1) Handguard Assembly
- (2) Gas Tube Pin
- (3) Gas Tube
- (4) Flash Suppressor/Compensator
- (5) Peel Washer
- (6) Handguard Slip Ring Retaining Ring
- (7) Handguard Slip Ring Spring
- (8) Handguard Slip Ring
- (9) Upper Receiver Assembly
- (10) Barrel Assembly

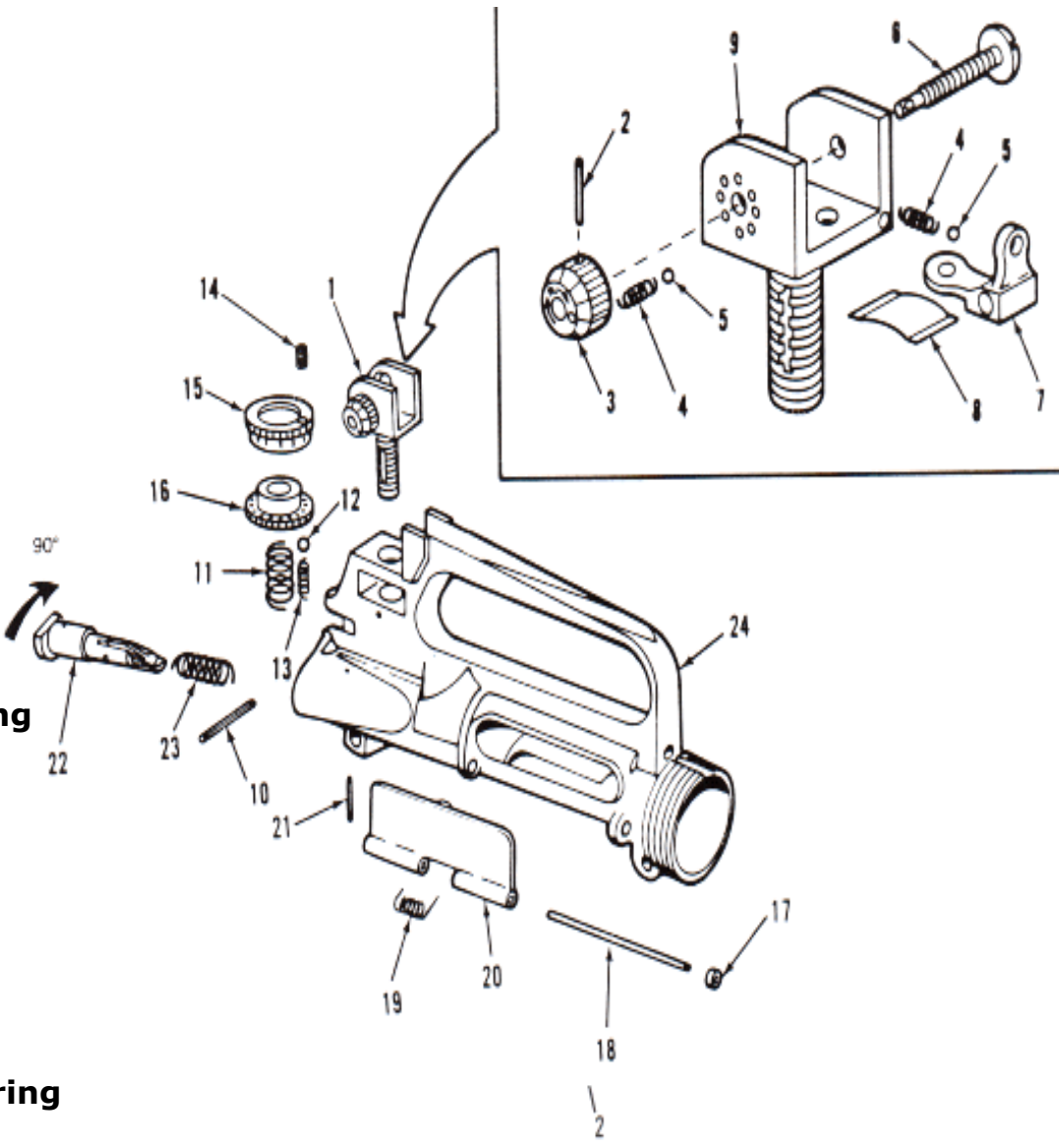




## Fusil de Asalto

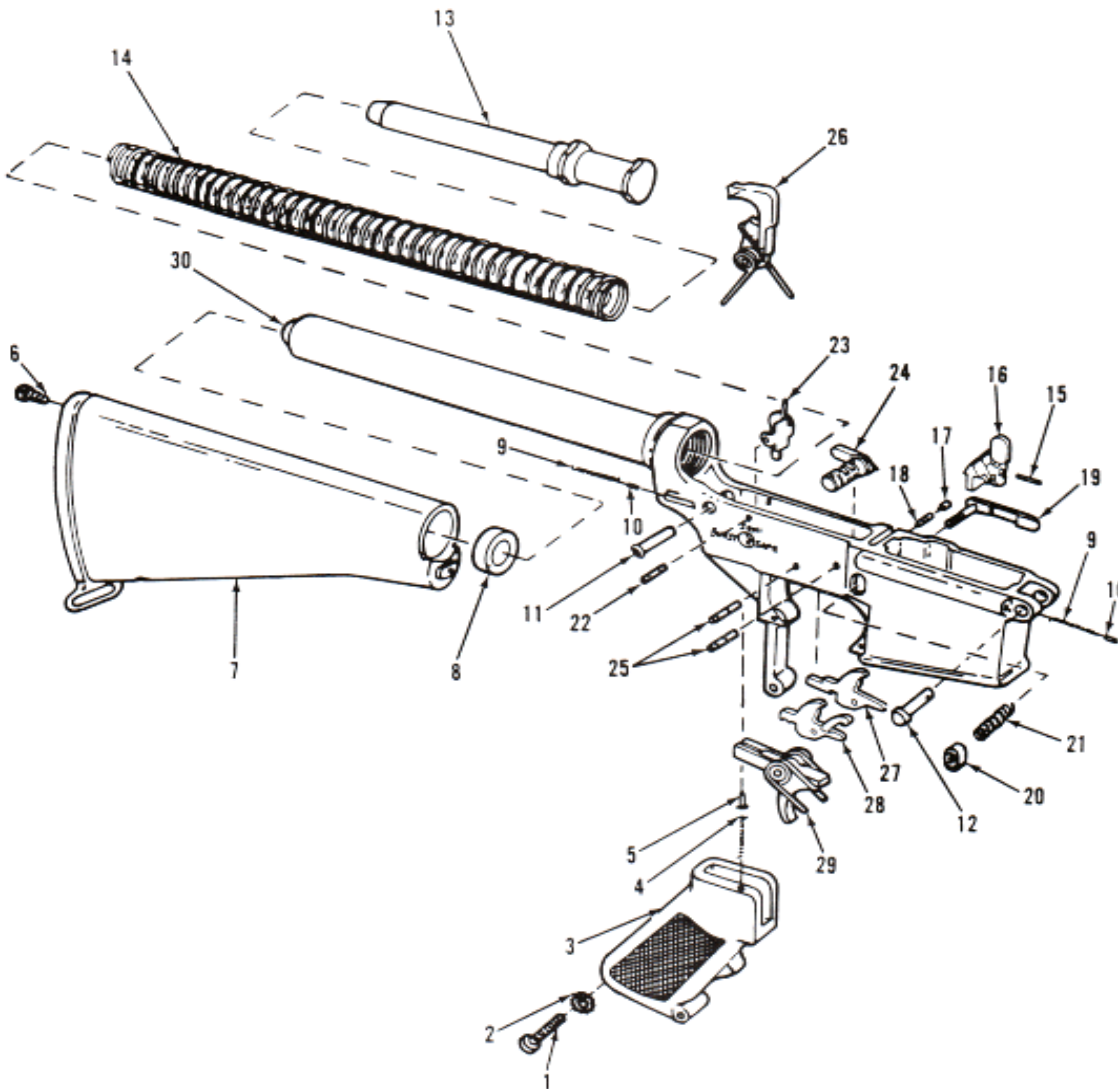
### Upper Receiver And Rear Sight Assembly Ensamble del Mecanismo Superior y Mira Posterior

- (1) Rear Sight Assembly
- (2) Rear Sight Windage Knob Retaining Pin
- (3) Rear Sight Windage Knob
- (4) Rear Sight Windage Knob Helical Spring
- (5) Rear Sight Windage Knob Ball Bearing
- (6) Rear Sight Windage Screw
- (7) Rear Sight Aperture
- (8) Rear Sight Flat Spring
- (9) Rear Sight Base
- (10) Rear Sight Retaining Pin
- (11) Rear Sight Elevation Helical Spring
- (12) Rear Sight Elevation Index Ball Bearing
- (13) Rear Sight Elevation Index Helical Spring
- (14) Rear Sight Elevation Index Screw
- (15) Rear Sight Elevation Index
- (16) Rear Sight Elevation Knob
- (17) Ejection Port Cover Retaining Ring
- (18) Ejection Port Cover Pin
- (19) Ejection Port Cover Helical Spring
- (20) Ejection Port Cover
- (21) Forward Assist Retaining Pin
- (22) Forward Assist Assembly
- (23) Forward Assist Helical Compression Spring
- (24) Upper Receiver



## Fusil de Asalto

### Lower Receiver and Buttstock Assembly Mecanismo Inferior y Culata



- (1) Grip Machine Screw
- (2) Grip Lock Washer
- (3) Grip
- (4) Safety Detent Helical Spring
- (5) Safety Detent
- (6) Lower Receiver Extension Self Locking Screw
- (7) Buttstock Assembly
- (8) Stepped Spacer
- (9) Takedown Pin Detent Helical Spring
- (10) Takedown Pin Detent
- (11) Takedown Pin
- (12) Pivot Pin
- (13) Buffer Assembly
- (14) Recoil Spring
- (15) Bolt Catch Pin
- (16) Bolt Catch
- (17) Bolt Catch Plunger
- (18) Bolt Catch Helical Compression Spring
- (19) Magazine Catch
- (20) Magazine Catch Button
- (21) Magazine Catch Helical Spring
- (22) Automatic Sear Pin
- (23) Sear
- (24) Selector Lever
- (25) Hammer And Trigger Spring
- (26) Hammer Assembly
- (27) Disconnecter
- (28) Disconnecter
- (29) Trigger Assembly
- (30) Lower Receiver and Receiver Extension Assembly